

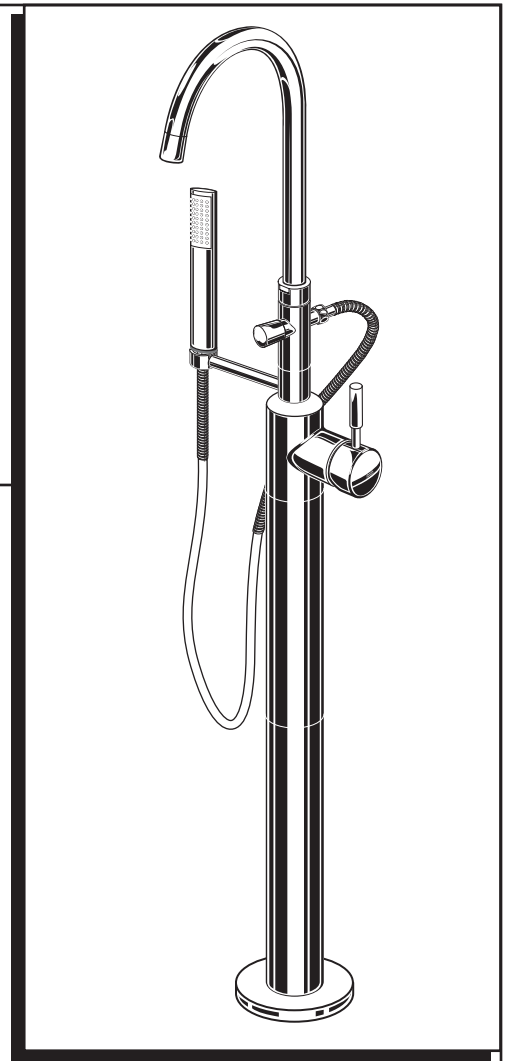
American Standard

Installation Instructions

CLEAN FREESTANDING SINGLE CONTROL BATH FILLER

2764.951 Series
2764.721 Series

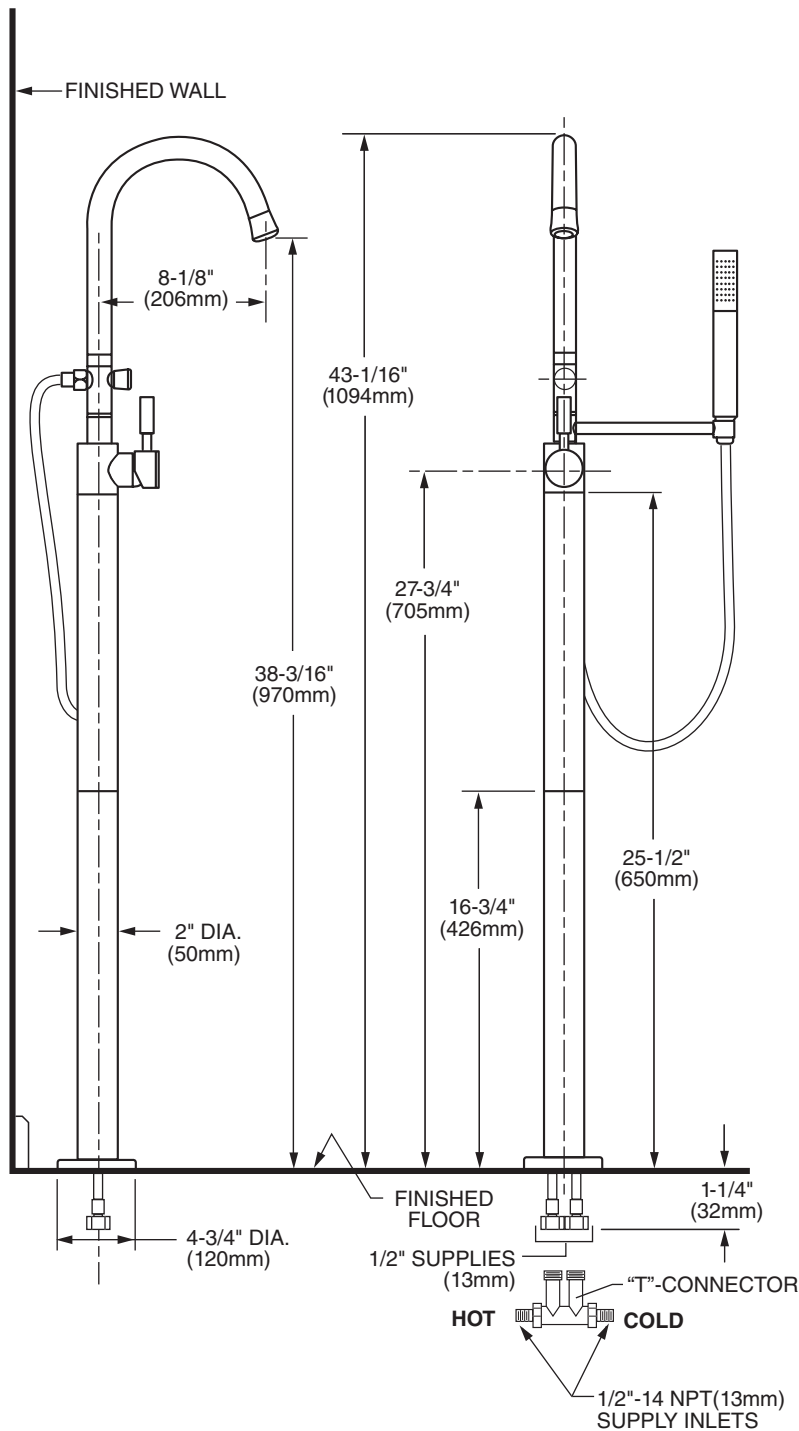
*Thank you for selecting American-Standard...
the benchmark of fine quality for over 100 years.
To ensure that your installation proceeds smoothly—
please read these instructions carefully before you begin.*



Certified to comply with ANSI A112.18.1

M965140 REV. 1.3

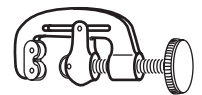
ROUGHING-IN DIMENSIONS



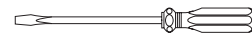
Recommended Tools



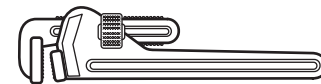
Phillips Screwdriver



Tubing Cutter



Flat Blade Screwdriver



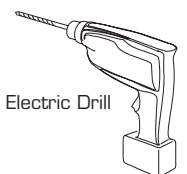
Pipe Wrench



1-1/4" Hole Saw



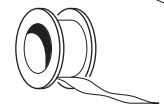
Adjustable Wrench



Electric Drill



Channel Locks

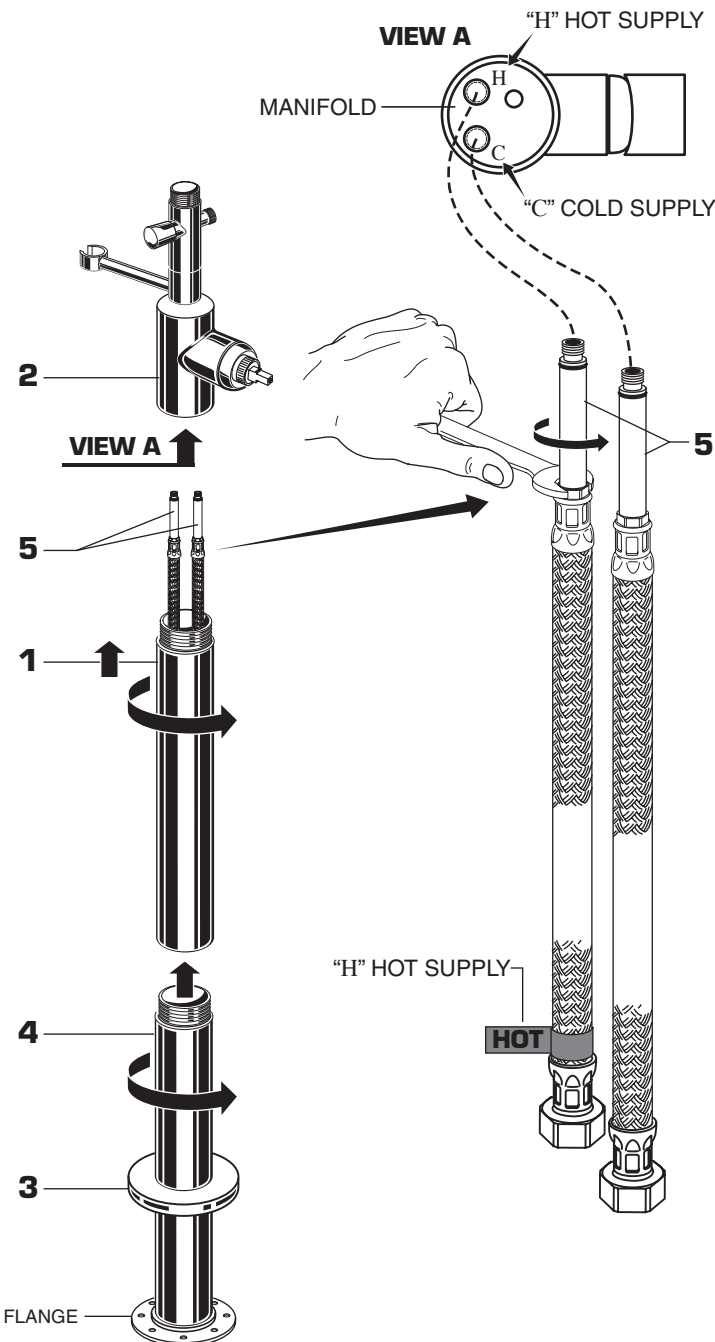


Teflon Tape

1 INSTALL SUPPLY HOSES AND RISER TUBES TO VALVE BODY

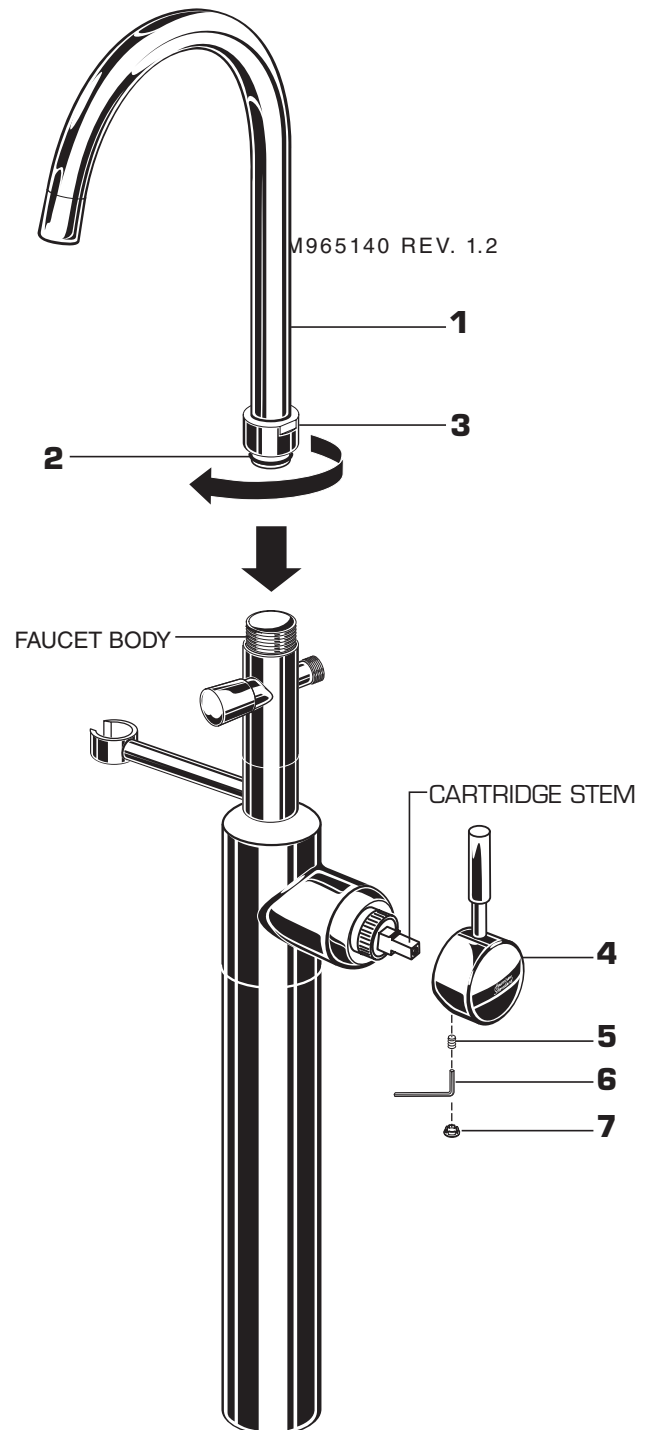
CAUTION Turn off hot and cold water supplies before beginning.

- Thread Hot and Cold SUPPLY HOSES (5) into MANIFOLD using a wrench or adjustable wrench. Make sure the connections are tight. Use Red tape (not supplied) to indicate the Hot SUPPLY HOSE. **SEE VIEW "A"**
- Insert RISER TUBE (1) without the flange over SUPPLY HOSES (5). Thread the RISER TUBE (1) into base of the VALVE BODY (2) and tighten fully.
- Slide the FLOOR MOUNTING FLANGE (3) onto the RISER TUBE (1) with the flange. Thread RISER TUBE (4) into the bottom of RISER TUBE (1) and fully tighten.
Note: Be careful not to scratch the faucet while tightening the tube assembly.



2 INSTALL BATH SPOUT AND HANDLE TO TUB FILLER

- Install SPOUT (1) into faucet body. Make sure O-RING (2) is installed and not damaged.
- Hand tighten SPOUT NUT (3). Align and center the SPOUT (1) with the center line of the faucet body. With an adjustable wrench fully tighten the SPOUT NUT (3).
Note: Be careful not to scratch faucet while tightening SPOUT (1).
- Insert HANDLE (4) on CARTRIDGE STEM, tighten SET SCREW (5) with HEX WRENCH (6) supplied.
- Install INDEX BUTTON (7) into HANDLE (4).



3 DETERMINE MOUNTING LOCATION

FIGURE 1.

- Determine the distance from the finished wall to the center of the floor water supply holes and mark a centerline.
Note: Check that floor is level in both directions.
- Drill a 2" (51mm) diameter hole for the 1/2" Hot and Cold supplies.
- Slide MOUNTING FLANGE (1) downwards on the TUB FILLER ASSEMBLY (2).
- Place MOUNTING FLANGE (1) over the floor supply hole. Align and center the TUB FILLER ASSEMBLY (2).

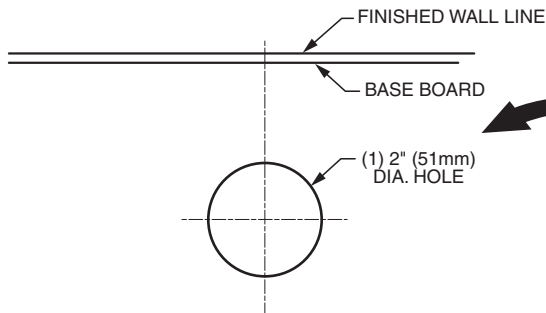


FIGURE 1

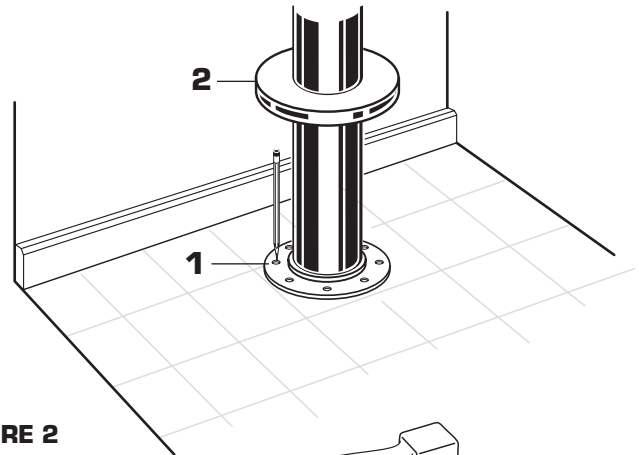
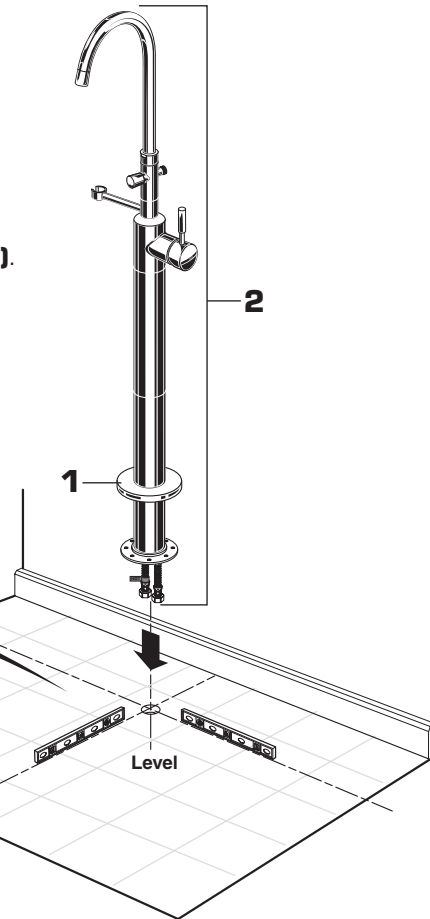


FIGURE 2

FIGURE 2.

- With the TUB FILLER ASSEMBLY (2) aligned and in desired position, mark on the floor the four mounting holes for the MOUNTING FLANGE (1).

FIGURE 3.

- Drill four 1/4" (6mm) diameter holes 1-3/4" (44mm) deep.
- Install the four ANCHORS (4) supplied, flush with the top of the finished floor.

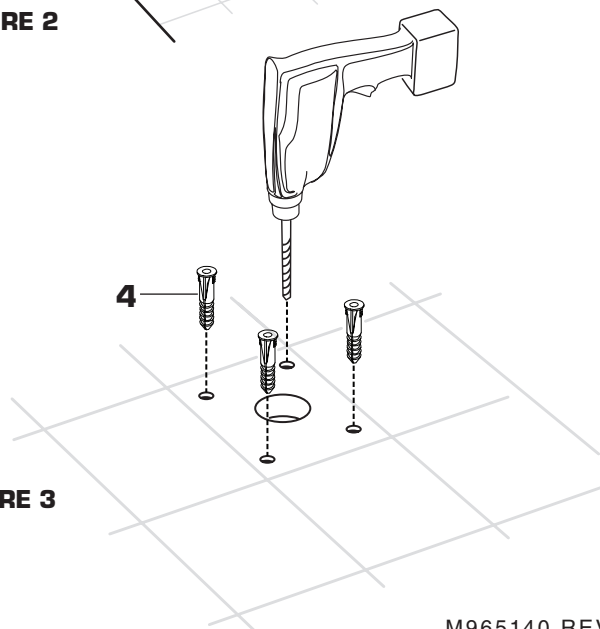


FIGURE 3

4

INSTALL TUB FILLER ASSEMBLY

INSTALL WATER SUPPLIES AND "T" ADAPTER

FIGURE 1:

- Make sure FLEXIBLE HOT and COLD WATER SUPPLIES protrude through the 2" (51mm) diameter hole in the floor enough to make the supply connections to the "T" ADAPTER (4).

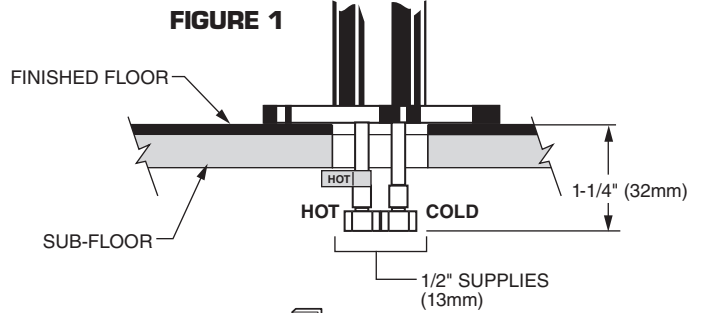


FIGURE 2:

- Hold the TUB FILLER ASSEMBLY (1) in place and install the four MOUNTING SCREWS (2).
- Check alignment and level before fully tightening the MOUNTING SCREWS (2). After tightening the MOUNTING SCREWS (2) slide ESCUTCHEON (3) down to floor.

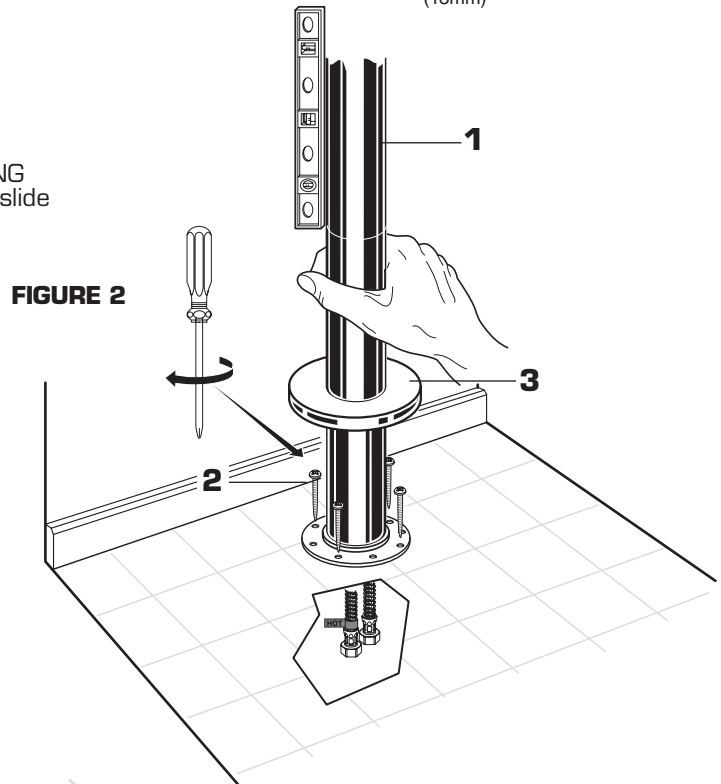
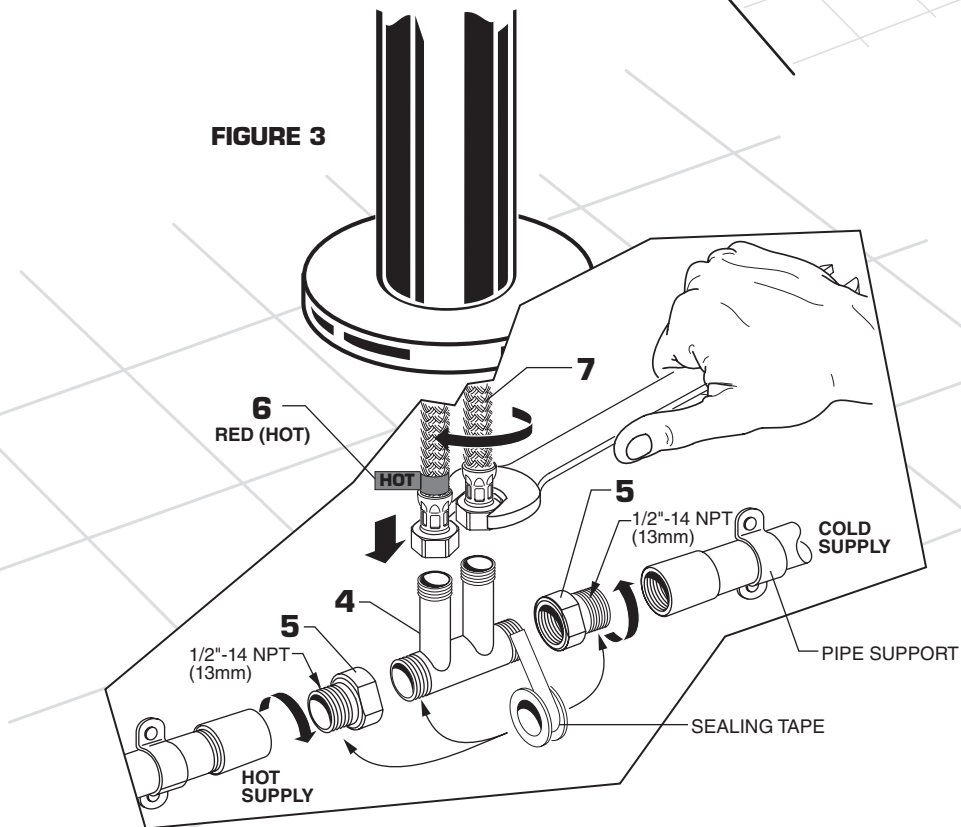


FIGURE 3:

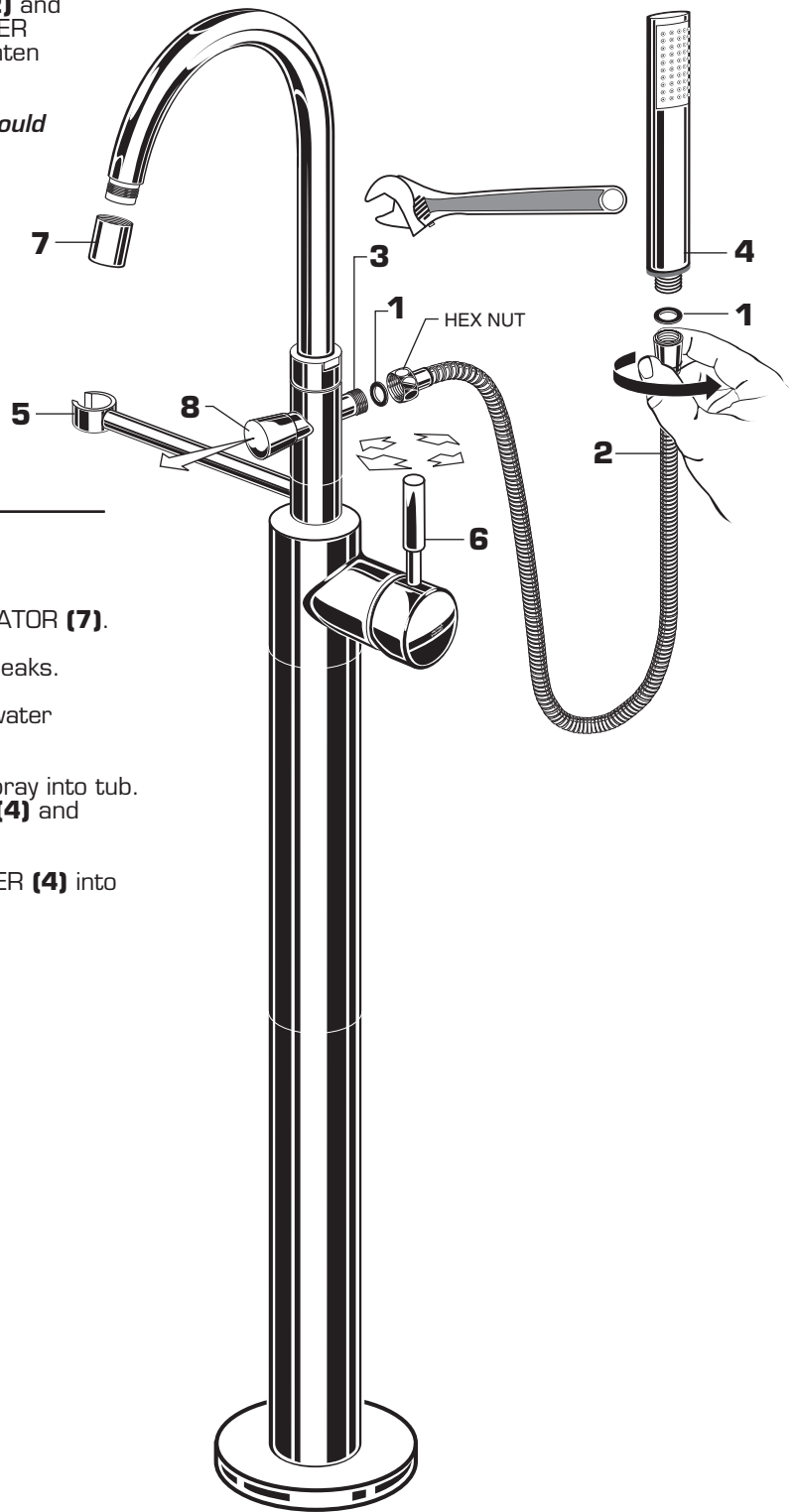
- Apply sealing tape to the threads of the "T" ADAPTER (4) and the two SUPPLY ADAPTERS (5). Thread the two SUPPLY ADAPTERS (5) onto the "T" ADAPTER (4) and tighten fully.
- From below the floor, connect the HOT WATER SUPPLY HOSE (6) (marked with red) to the Hot water supply from the "T" (4) and the COLD WATER SUPPLY HOSE (7) to Cold water supply from the "T" (4). Use an adjustable wrench or 7/8" open end wrench to tighten connections. Do not over tighten.
- Secure piping below floor to floor joist.

FIGURE 3



5 INSTALL HAND SHOWER

- Install SEALS (1) on both ends of the SPRAY HOSE (2) and connect the one end with the hex nut to the TUB FILLER ASSEMBLY (3) using an adjustable wrench. Hand tighten the connection to the HAND SHOWER (4).
- **Note:** When not in use, the HAND SHOWER (4) should be seated in the HOLDER (5).



6 TEST INSTALLED FAUCET

- Move HANDLE (6) into "off" position and remove AERATOR (7).
- Turn on water supplies and check all connections for leaks.
- Operate HANDLE (6) on to off, hot and cold to flush water lines thoroughly.
- Lift HAND SHOWER (4) from the holder and direct spray into tub. Pull DIVERTER KNOB (8) and check HAND SHOWER (4) and HOSE (2) connections for leaks.
- Push DIVERTER KNOB (8) in and place HAND SHOWER (4) into HOLDER (5).

7 CARE INSTRUCTIONS:

DO: SIMPLY RINSE THE PRODUCT CLEAN WITH CLEAR WATER. DRY WITH A SOFT COTTON FLANNEL CLOTH.

DO NOT: DO NOT CLEAN THE PRODUCT WITH SOAPS, ACID, POLISH, ABRASIVES, HARSH CLEANERS, OR A CLOTH WITH A COARSE SURFACE.

M965140 REV. 1.3

American Standard

CLEAN FREESTANDING SINGLE CONTROL BATH FILLER

MODEL NUMBERS

2764.951 Series
2764.721 Series

M964060-0020A
AERATOR ASSEMBLY

M964072-0020A
DIVERTER ASSEMBLY

M964071-0020A
HAND SPRAY

M964070-0020A
HAND SPRAY HOSE KIT

M964114-0070A
SUPPLY HOSES

M964073-0070A
CARTRIDGE

M964067-0020A
HANDLE KIT

Appropriate finish code

CHROME 002

M964069-0070A
SCREW & ANCHOR KIT

M964068-0070A
T-CONNECTOR ASSEMBLY

M965140 REV. 1.3



HOT LINE FOR HELP

For toll-free information and answers to your questions, call:
1-800-442-1902

Weekdays 8:00 a.m. to 6:00 p.m. EST

IN CANADA 1-800-387-0369 (TORONTO 1-905-306-1093)

Weekdays 8:00 a.m. to 7:00 p.m. EST

IN MEXICO 01-800-839-1200

Product names listed herein are trademarks of American Standard Inc.
© AS America, Inc. 2011